

SPECIFICATION

A: MATERIAL:

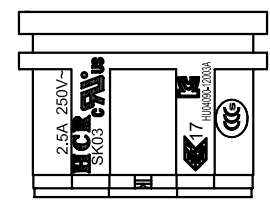
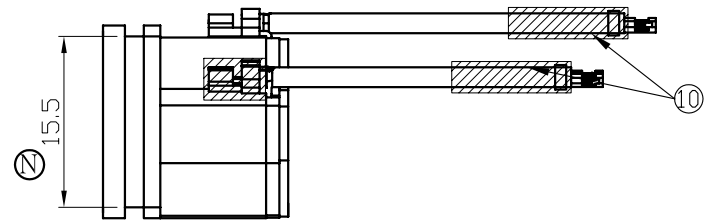
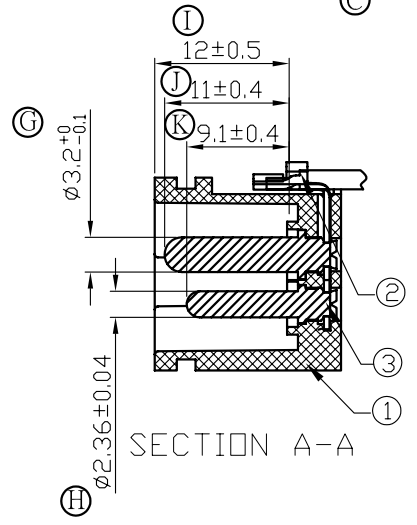
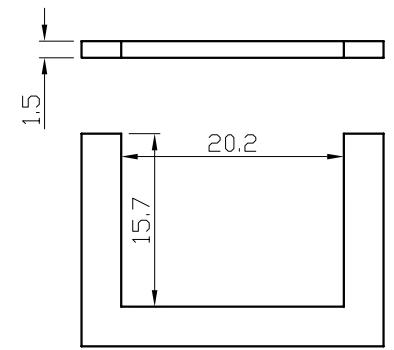
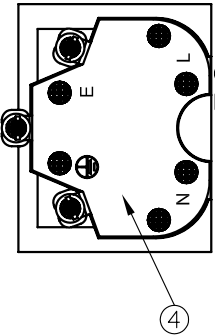
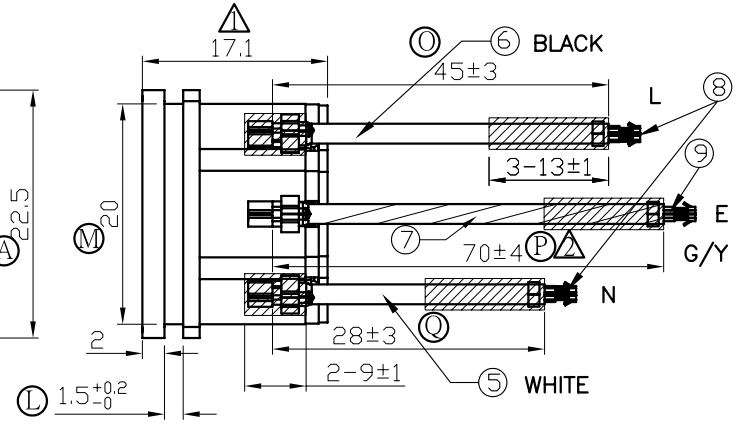
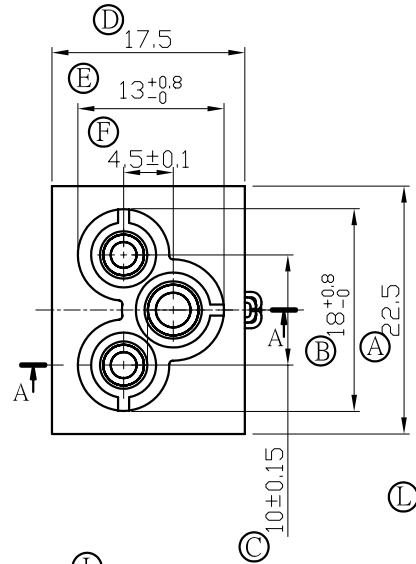
- 1.BODY: PC
- 2.TERMINAL: Cu PLATED Sn
- 3.PIN: Cu PLATED Ni
- 4.COVER: PC
- 5.WIRE: UL 3266, 22AWG, WHITE
- 6.WIRE: UL 3266, 22AWG, BLACK
- 7.WIRE: UL 3266, 18AWG, GREEN & YELLOW
- 8.TERM: Cu PLATED SN & H11607 (Equivalent)
- 9.TERM: Cu PLATED SN & H11818 (Equivalent)
- 10.TUBE: HEAT SHRINK TUBE

B: CHARACTERISTICS:

- 1.RATING: 2.5A 250V~(C-ULus, ENEC & CCC & KC)
- 2.INSULATION RESISTANCE:100MΩ MIN,AT 500VDC
- 3.ELECTRIC STRENGTH : AC 3,000V/1 MIN,LEAKAGE CURRENT UNDER 0.5mA

C: APPROVALS: C-ULus, ENEC & CCC & KC

D: CAN MEET ROHS,HF



PANEL CUT-OUT

TOLERANCES UNLESS OTHERWISE 未指定容許差尺寸之公差	
BASIC DIMENSIONS TOLERANCES	
UP TO 10 (10以下)	±0.15
ABOVE 10 TO 30(10~30)	±0.3
ABOVE 30 TO 100(30~100)	±0.5
ANGULAR DIMENSIONS(角度)	±5°
DIMENSION UNIT	mm

東莞市華之力電子有限公司 DONGGUAN HCR ELECTRONICS CO., LTD.

2	2012/12/19	1.變更尺寸原80±4⇒70±4	A2	WeiChen	RZTang	核准	AaronJin	日期	20121219	投影法		機型	INLET SOCKET
1	2012/11/27	1.變更尺寸原16.8±0.5⇒17.1±0.3 2.變更公差表	A1	WeiChen	RZTang	校對	RZTang	日期	20121219	比例	1:1	型號	SK03
0	2012/08/15	新制訂	A0	WeiChen	RZTang	繪圖	WeiChen	日期	20121219	路徑	E:\成品圖	料號	SK03-2101030423CH-3009
NO	DATE	REVISION DESCRIPTION	REVISION	RDAWN	APPROVED	DRAWN BY		DATE		DWG NO	E:\成品圖 SK03\830068	ITEM NO	